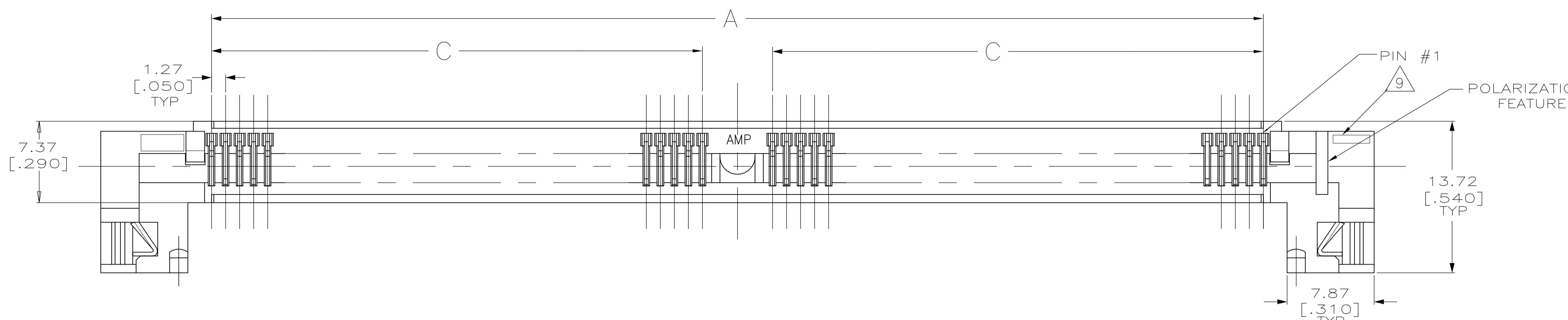
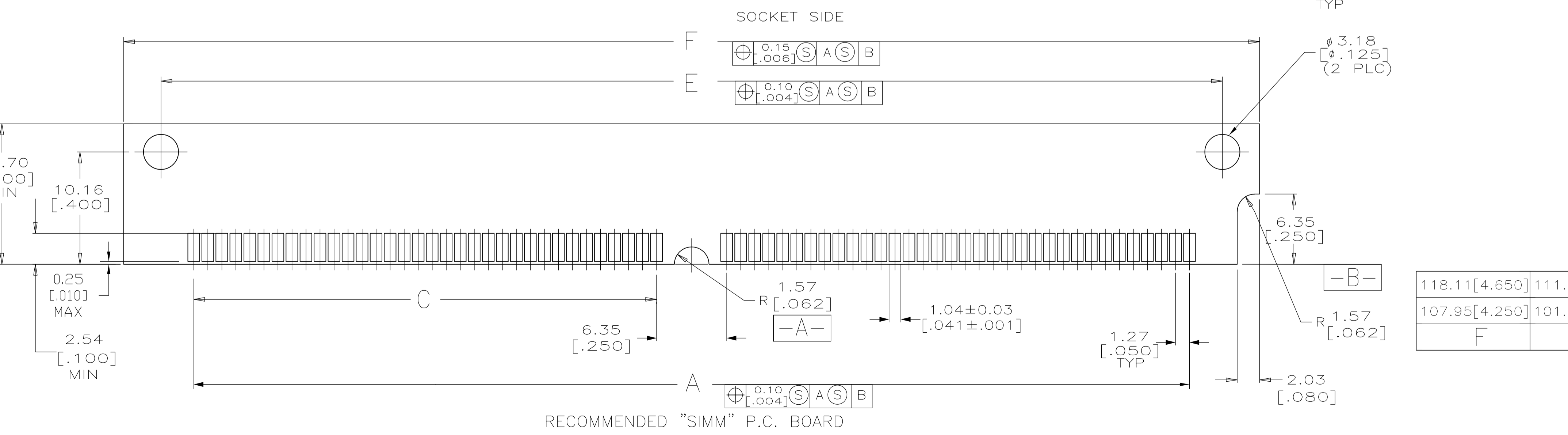
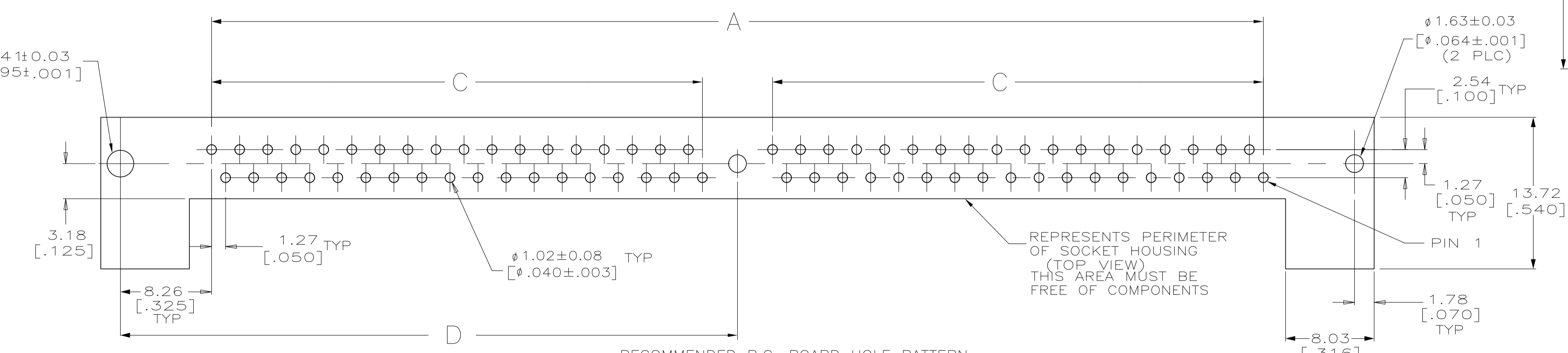
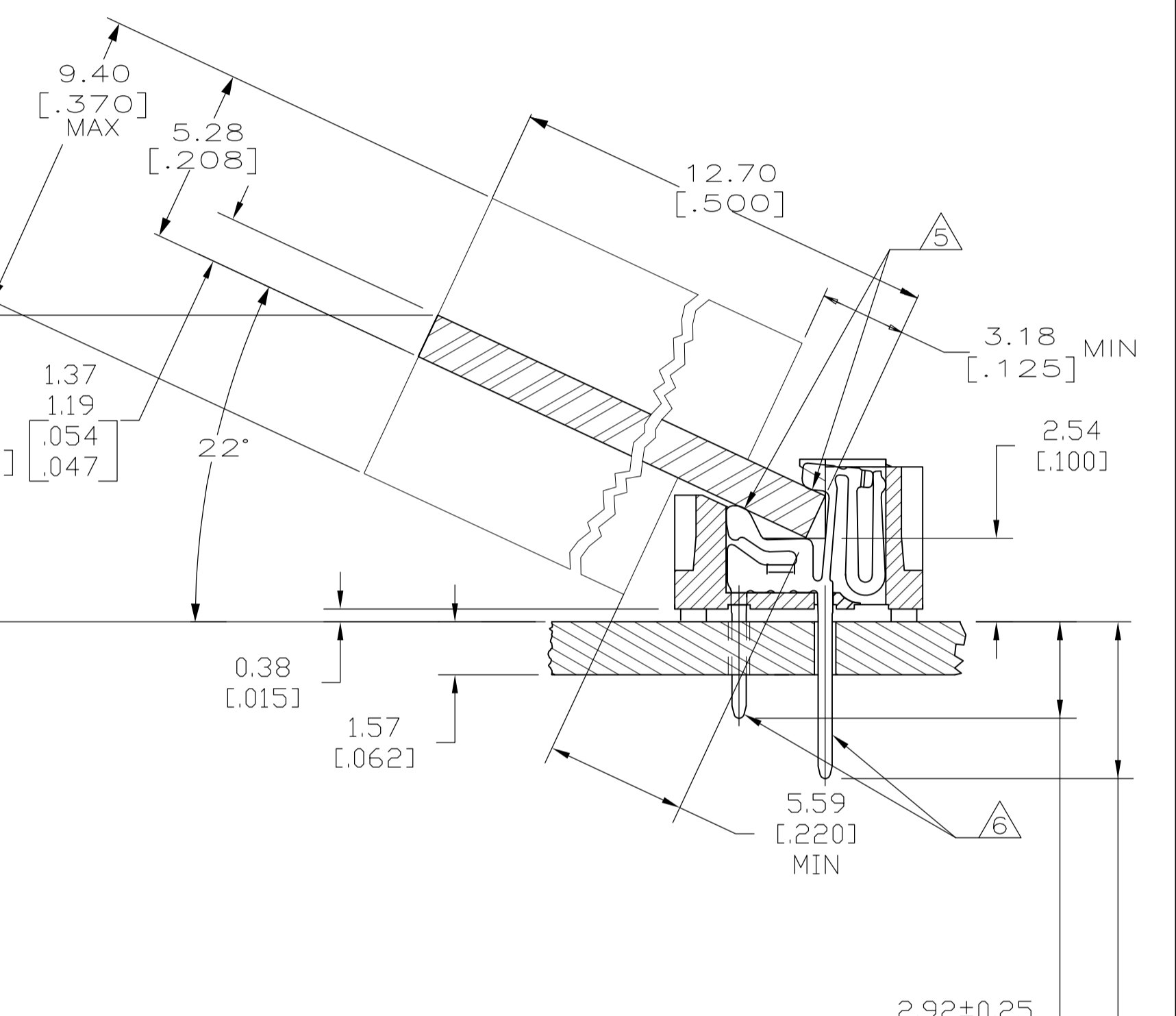
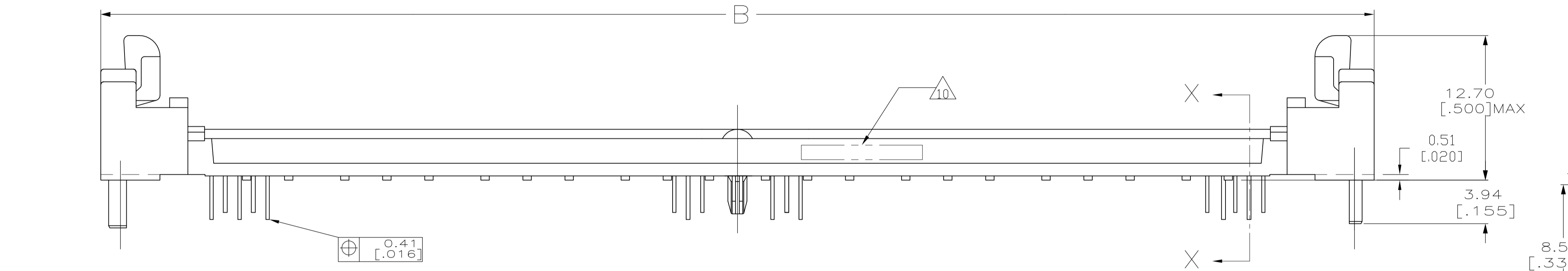


LOC		DIST		REVISIONS			
GP	00	REV	DATE	BY	CHK	APPV	
B1		REVISED PER ECO-11-005033	29MAR11	RK	HMR		



- 1 HOUSING-MATERIAL : LIQUID-CRYSTAL-POLYMER.
- 2 CONTACT-MATERIAL : PHOS. BRONZE.
- 3 LATCH-MATERIAL : STAINLESS STEEL.
- 4 CONTACT-PLATE 0.00127 [.000050] MIN NICKEL ALL OVER.
- 5 CONTACT-PLATE 0.00076[.000030] MIN. GOLD AT CONTACT PTS.
- 6 CONTACT SOLDERTAILS-PLATE 0.00508[.000200] MIN MATTE TIN.
- 7. IN ADDITION TO THOSE RECOMMENDED "SIMM" P.C. BOARD DIMENSIONS AND TOLERANCES SHOWN, ALL JEDEC SPECIFICATIONS APPLY AS SHOWN ON MO-116, ISSUE A.
- 8. RECOMMENDED MATING S.I.M.M. TAB METALLURGY:  
BASE METAL-COPPER. PLATING TO BE 0.00076[.000030] MIN GOLD OVER 0.00127[.000050] MIN NICKEL.
- 9 'S' IDENTIFIER LOCATED APPROXIMATELY AS SHOWN.
- 10 DATE CODE INFORMATION (YEAR WEEK), LOCATED APROXIMATELY AS SHOWN ON OPPOSITE SIDE ONLY.



118.11[4.650]	111.35[4.384]	60.96[2.400]	49.53[1.950]	125.48[4.940]	105.41[4.150]	80	5822137-4
107.95[4.250]	101.19[3.984]	55.88[2.200]	44.45[1.750]	115.32[4.540]	95.25[3.750]	72	5822137-3
F	E	D	C	B	A	NO. OF POSN	PART NO

THIS DRAWING IS A CONTROLLED DOCUMENT.		DIN B1 MCMMASTER 07JAN05	STE TE Connectivity
DIMENSIONS: mm [INCHES]		CHK M.YEOMANS 07JAN05	
TOLERANCES UNLESS OTHERWISE SPECIFIED:		NAME M.YEOMANS 07JAN05	CONNECTOR, MICRO-EDGE, .050, LP, GOLD PL, W/METAL LATCH
0 PLC ± -		APPLICATION SPEC	
1 PLC ± -		SIZE A1	CAGE CODE DRAWING NO 00779 5822137
2 PLC ± -		WEIGHT	
3 PLC ± 0.13[.005]		CUSTOMER DRAWING	SCALE 4:1 SHEET 1 OF 1 REV B1
4 PLC ± -			
ANGLES ± -			